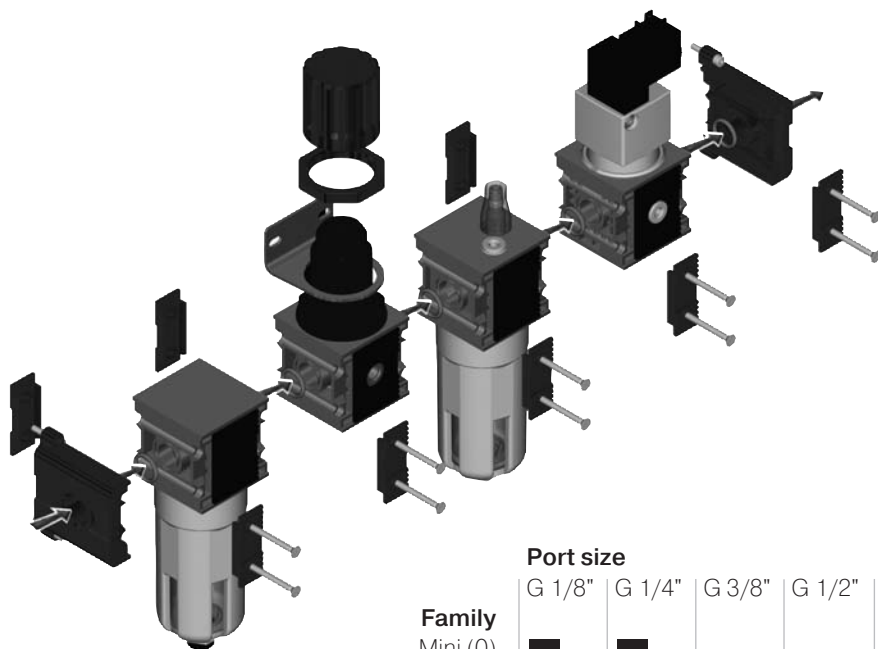


Table of Contents

page		Air Preparation Equipment
2	3.1	Introduction
3	3.2	Mini Filter Regulator and Lubricator sets
4	3.3	Mini Filter Regulators
5	3.4	Mini Regulators
6	3.5	Mini Filters
7	3.6	Mini Lubricators
8	3.7	Filter Regulator and Lubricator sets
9	3.8	Filter Regulators
10	3.9	Regulators
11	3.10	Filters
12	3.11	Lubricators
13	3.12	3/2-way Shut-Off Valves
14	3.13	Soft Start Valves
15	3.14	Accessories

Introduction

The new range of air line equipment consists of four families covering the port-sizes from G 1/8" to G 1". The highly flexible modular system allows different combinations of units to be built adding appropriately threaded end plates for the required port size.



Family	Port size					
	G 1/8"	G 1/4"	G 3/8"	G 1/2"	G 3/4"	G 1"
Mini (0)	■	■				
1	■	■	■			
2		■	■	■		
3					■	■

■ standard product
■ available on request

